

→ High quality installation equipment



**CADprose!**

# PRO LINK X4

## Junction Box



**Built for harsh environments**



**Stainless steel AISI 316L**

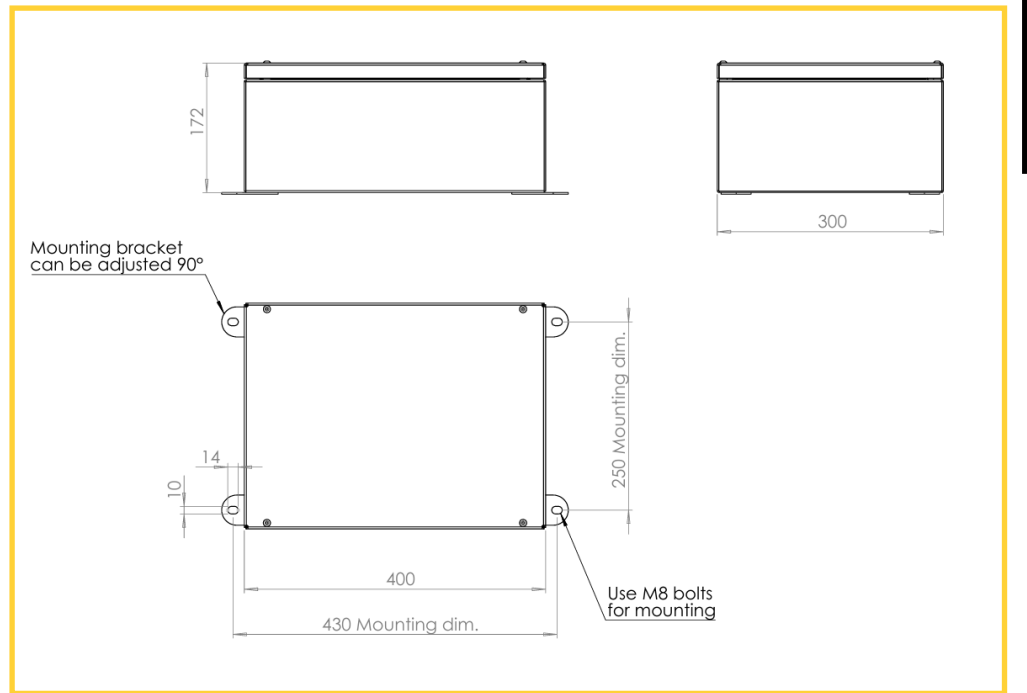


**IP66/67**

## Applications

- Electrical installations
- Indoor & outdoor applications
- Industrial installations
- Marine environments

## Dimensions



**Phone**  
+47 95215241



**Address**  
123 Street Name City Name



**Web**  
[www.cadprose.no](http://www.cadprose.no)

## Technical specifications

**Material housing:** AISI 316L / EN 1.4404

**Material gasket:** EPDM

**Ingress protection:** IP66 / IP67

**Weight empty box:** 9,5 kg

**Earthing:** Inside junction box

**Dimensions (mm)\*:** 400x300x170

*\* Custom size or design on request*



**Phone**  
+47 95215241



**Address**  
123 Street Name City Name



**Web**  
[www.cadprose.no](http://www.cadprose.no)